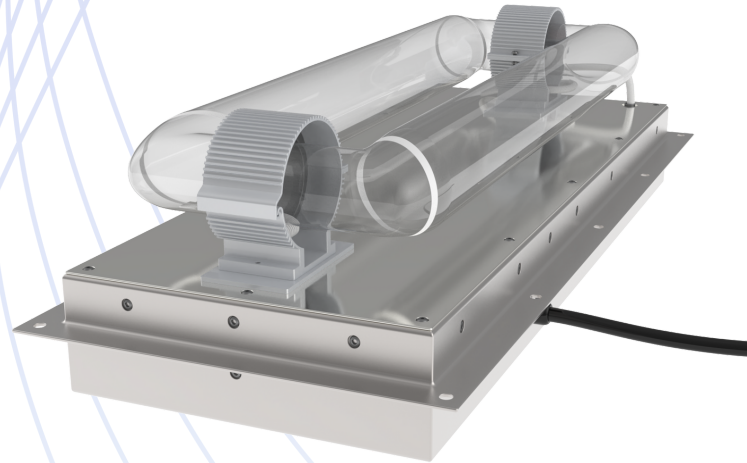


# INDUCT 300W

## UVC TECHNOLOGY

MADE IN CANADA 

Designed to fit seamlessly within a new or existing HVAC system to sanitize the air as it flows through any size facilities. The 300 Watt UV bulb equipped on the Induct will turn on when airflow is detected. These units produce no ozone, and UVC bulbs have a 43,800 hour lifespan.



### KEY FEATURES

#### 99.9% Destruction of Microorganisms

Scientifically proven and third-party tested to deactivate and destroy 99.9% of airborne viruses, bacteria, and moulds.

#### Entire Facility Protection

Offers complete facility protection based on new or existing HVAC designs vs. stand-alone units that are designed to protect specific spaces.

#### BAS Compatible

Ability to integrate into existing BAS to provide enable/disable, alert, and status functions in real time.

#### UL 2998 Certified

Achieved UL 2998 certification and are safe for operation in environments that are sensitive to the production of harmful ozone.

#### Years of Maintenance Free Service

Featuring a five-year lamp life of continuous use with absolutely zero maintenance, minimizing ongoing facilities costs.



# BLADE

 [bladeair.com](http://bladeair.com)

 416-701-0201

 [info@bladeair.com](mailto:info@bladeair.com)

# INDUCT 300W

## UVC TECHNOLOGY

MADE IN CANADA 

### KEY FEATURES

#### ROBUST INDUSTRIAL DESIGN

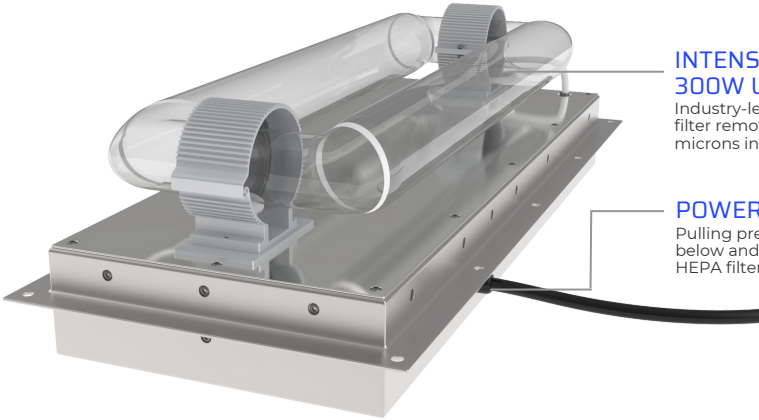
Units can be stacked to address mechanical systems of any size

#### REFLECTIVE PANELLING

Highly reflective paneling is used throughout the inner-side of the unit to further amplify UV intensity.

#### AIRFLOW SENSE DETECTION

The 300 Watt UV bulb equipped on the Induct will turn on when airflow is detected.



#### INTENSE 300W UV-C BULB

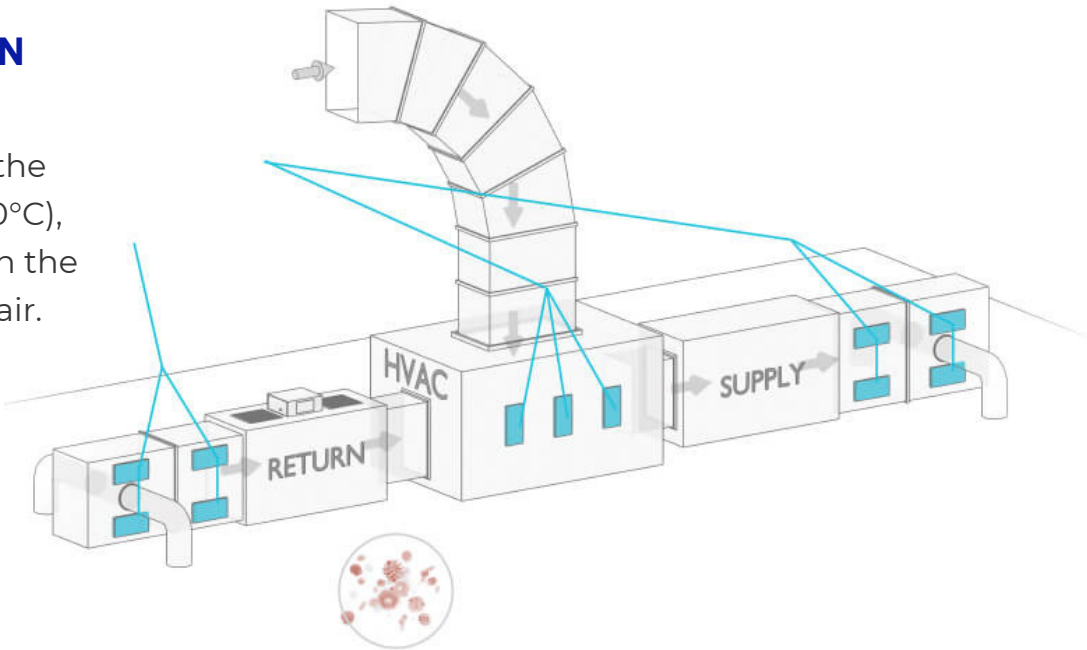
Industry-leading True HEPA filter removing 99.97% at 0.3 microns in size.

#### POWER SOURCE

Pulling pre-filtered air from below and pushing through HEPA filter.

### EASE OF INSTALLATION

Due to the wide-ranging operating temperature of the Induct 300W (-25°C to +100°C), this unit can be installed on the return, supply, or makeup air.



# BLADE

# INDUCT 300W

## UVC TECHNOLOGY

MADE IN CANADA 

### Industrially-designed Air Sanitization Technology to Accommodate All Buildings and Facilities

TECHNICAL SPECIFICATIONS	INDUCT 300W
EMISSIONS	UL2998 Certified No Ozone Generated
BULB LIFE	43,800 hours
CONNECTIVITY	Wifi-Enabled Real time updates
UV INTENSITY	300 Watts
POWER REQUIREMENTS	208-240 VAC, 50/60 Hz
ENERGY CONSUMPTION	1.8 Amp Max (420 Watt) @208V AC
AIRFLOW	Airflow Sense Activation
WEIGHT	15lbs (7kg)
CONTROL PANEL	Status, Bulb life, Alarm Indicators
CONTROL	Differential Pressure Switch
HOUSING MATERIAL	Aluminum
DIMENSIONS	25"(H) x 10" (W) x 5.36" (D)
ELECTRICAL	cETLus Certified UL and CSA Standards
CLEAN AIR DELIVERY RATE	500-5,000 CFM
OPERATING TEMPERATURE	-25C/+50C
CONNECTION POWER CONTROL	15-30 VAC/10-120 VAC Single or daisy chain

# BLADE